



ITI LIMITED
Palakkad Plant, Kanjikode West
PALAKKAD – 678 623
KERALA -INDIA

Phone: (0491)2566010(4 Lines)
Extn: 375
(0491) 2564375
E-Mail : pur4_pkd@itilttd.co.in

Ref: PQ239H021

Date: 31/08/2019

Dear Sir,

Sub: Request Quote for Polycarbonate Seal

We have requirement for the subject item and we invite quote for the following item:-

Sl.No.	Item Code	Description	Quantity
1	PSMINSE011901GN	POLYCARBONATE SEAL	100000 U
Specification : Attached			

Please submit your competitive bid for the above mentioned items on or before due date, subject to the following terms & conditions:

1. Prices : Shall be FOR at our Store (Door Delivery) ITI Ltd., Kanjikode, Palakkad
2. Taxes : GST 18%
3. Payment : 90 days from the date of receipt of the material
4. Validity : 120 Days
5. Delivery : Immediate
6. Packing : Standard packing
7. Due Date : **Your offer should reach us on or before 16/09/2019 at 04-00 PM.**
8. Tender Opening Venue/Date & Time: **ITI Ltd, PALAKKAD, on 17/09/2019 at 2.30 PM**
9. **If you are registered under MSME, pl. send us the copy of registration certificate alongwith quote.**

You are requested to send your most competitive offer for the above item in the following address in a sealed envelope so as to reach us on or before the due date i.e., **08/05/2019 at 4.00 P.M. E-mail quotes are also acceptable. You may please send it to pur4_pkd@itilttd.co.in**

**DEPUTY GENERAL MANAGER (PLG&MM)
ITI LIMITED., KANJIKODE WEST,
PALAKKAD - 678 623, KERALA.
PHONE : 0491 2566511, 2564 375**

PLEASE INDICATE THE RFQ REFERENCE i.e., RFQ PQ239H021 and DUE DATE i.e., 16/09/2019 on top of the envelope of your quotation.

For other tender terms and conditions, you may also visit our Website
<http://itipalakkad.in/public/tenderterms.htm>

Thanking you,

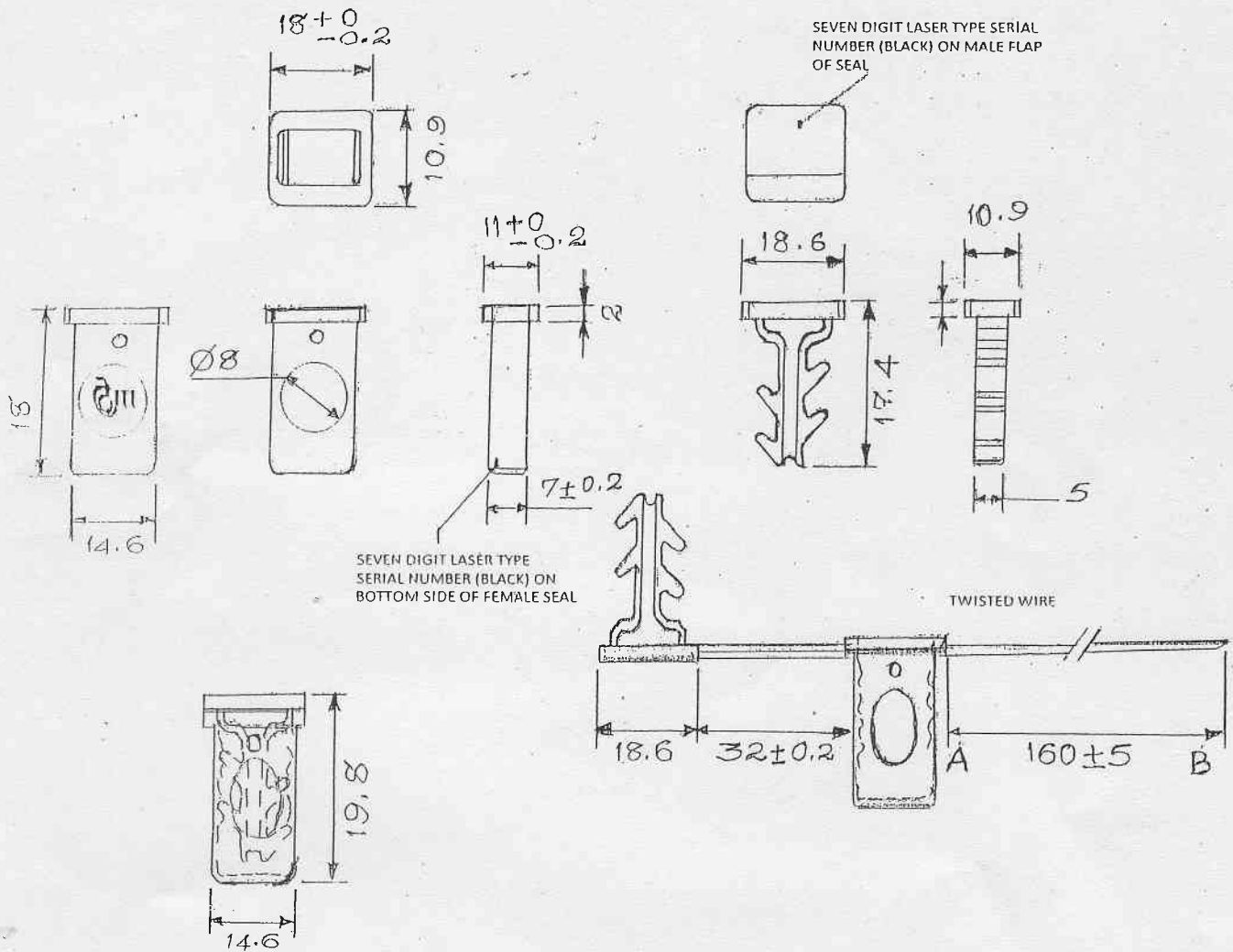
For ITI Limited

RAGHUNATHAN.K.P.

Deputy General Manager (PLG & MM)

Phone No: 0491-2566511/2564375

The mail ID for general correspondence : pur4_pkd@itilttd.co.in



COLOUR	TRANSPARENT
SERIAL NUMBERING	LASER TYPE BLACK COLOUR SERIAL NUMBER
LOGO	DIA 8 MM (LOGO SHOULD FIT IN 8MM DIA).
TWISTED WIRE	LENGTH A TO B : 160 ± 5 MM, WIRE DIA 0.4 & 0.5 MM
WIRE MATERIAL	SS 304 GRADE
PLASTIC MATERIAL	UV RESISTANT POLYCARBONATE

Note :Unless otherwise specified dimensions are in millimeters.

General Tolerance:		Material:		Finish:			
Prepared by: <i>Humayun</i>		Checked by: <i>P. S. S. S.</i>		Approved by: <i>P. S. S. S.</i>			
Issue	ECN No.	Date	Sign	Issue	ECN No.	Date	Sign
01		18/4/19					
POLYCARBONATE SEAL				ITI LIMITED, PALAKKAD			
				PSMINSE011901GN			

